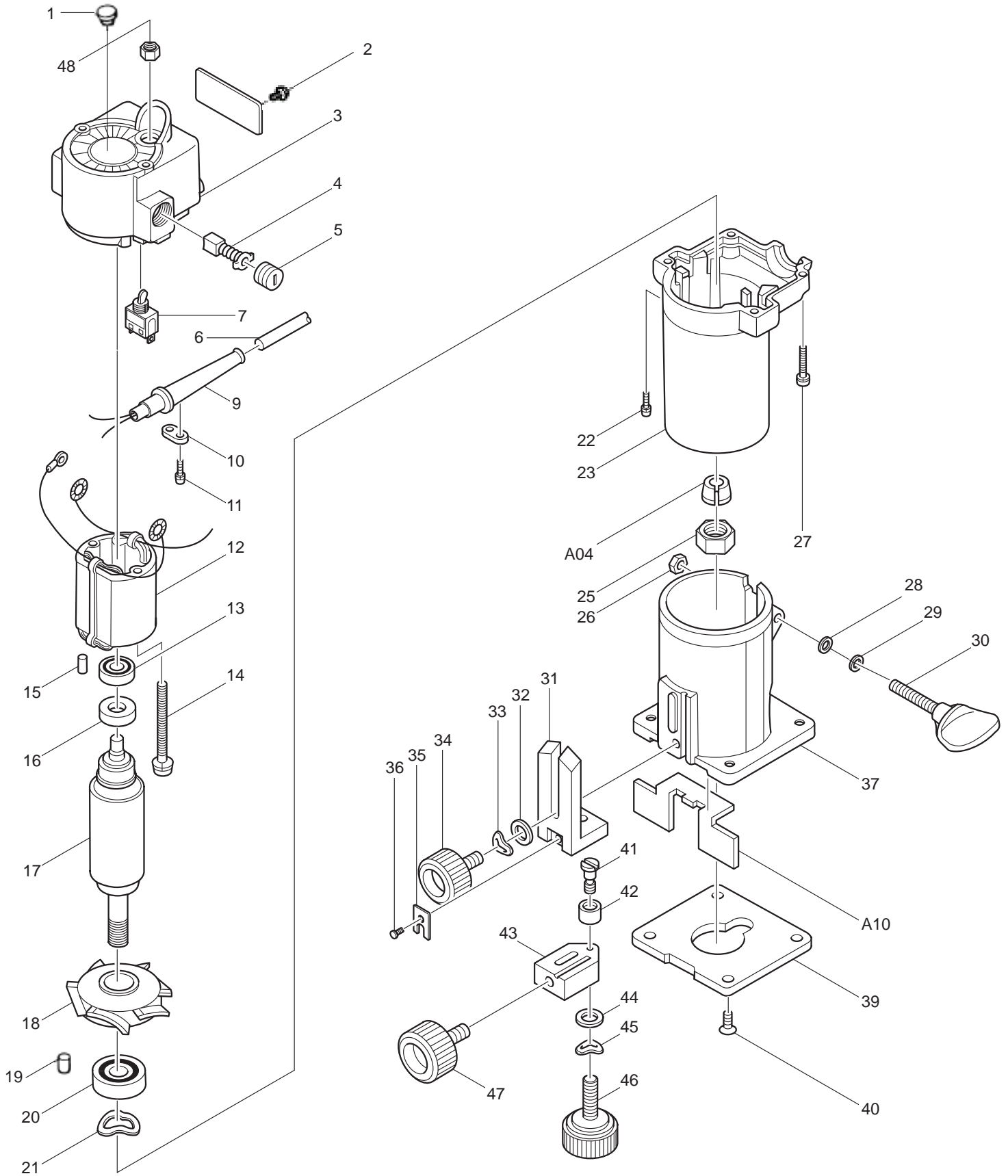




07 - 2009
3700B
1/4" TRIMMER



Item No.	Part No.	Description	Qty	Unit
1	286203-2	CAP (OLD)	1	PC.
2	953106-2	RIVET 0-5 (OLD)	2	PC.
3	159620-8	MOTOR REAR HOUSING COMPLETE	1	PC.
	INC. 643556-6	BRUSH HOLDER 5-8	2	PC.
	INC. 913206-0	SET SCREW M5X8 (OLD)	2	PC.
	INC.	Item No. 15		
4	191947-0	CARBON BRUSH CB-76 (2PCS/SET)	1	SET
	181500-0	AUTO CUT-OFF CARBON BRUSH CB-60 (2PCS/SET)(OPTION)	1	SET
5	643550-8	BRUSH HOLDER CAP 5-8	2	PC.
6	664064-4	CORD W/PLUG 2P-182.5M, SJ (OLD#664013-1)	1	PC.
7	651403-7	SWITCH ST115A-31*	1	PC.
9	682502-4	CORD GUARD 8-85	1	PC.
10	687002-9	STRAIN RELIEF (F/SJ CORD)	1	PC.
	687001-1	STRAIN RELIEF (F/SJT CORD)	1	PC.
11	911133-5	PAN HEAD SCREW M4X18 (OLD#911131-9)	2	PC.
12	521212-7	FIELD ASS'Y 115V (OLD# 621212-8)	1	PC.
	INC. 654018-9	RING TERMINAL	2	PC.
	INC. 654501-6	CONNECTOR P-1.25	2	PC.
13	211028-5	BALL BEARING 627LB	1	PC.
14	911200-6	PAN HEAD SCREW M4X70	2	PC.
15	263002-9	RUBBER PIN 4	1	PC.
16	681614-0	INSULATION WASHER *	1	PC.
17	511376-5	ARMATURE ASS'Y 115V *	1	PC.
	INC.	Item No. 13,16,18,20		
18	241615-6	FAN 52 *	1	PC.
19	263005-3	RUBBER PIN 6 (OLD)	1	PC.
20	211236-8	BALL BEARING 6002DDW (OLD# 211227-9 - N/L/A)	1	PC.
21	253905-5	WAVE WASHER 23 *	1	PC.
22	911133-5	PAN HEAD SCREW M4X18	2	PC.
23	415132-4	MOTOR HOUSING	1	PC.
25	763606-2	COLLET NUT 6	1	PC.
26	252156-7	HEX. NUT M5-8	1	PC.
27	911148-2	PAN HEAD SCREW M4X25	2	PC.
28	941101-4	FLAT WASHER 5	1	PC.
29	942101-7	SPRING WASHER 5 (OLD)	1	PC.
30	251867-1	SCREW M5X30	1	PC.
31	317788-8	GUIDE HOLDER (OLD# 312396-0)	1	PC.
32	941151-9	FLAT WASHER 6	1	PC.
33	253903-9	WAVE WASHER 6	1	PC.
34	265763-7	THUMB SCREW M6X25 (OLD# 251815-0)	1	PC.
35	341136-9	HOOK	1	PC.
36	265135-6	+ COUNTERSUNK HEAD SCREW M4X10 (OLD# 912116-8)	1	PC.
37	411113-6	BASE	1	PC.
39	411114-4	BASE PROTECTOR	1	PC.
40	912112-6	COUNTERSUNK HEAD SCREW M4X10	4	PC.
41	251471-6	- FLAT HEAD SCREW H5 (OLD# 251420-3 - N/L/A)	1	PC.
42	324378-0	ROLLER 11 (OLD# 323495-3)	1	PC.
43	317789-6	TRIMMER GUIDE (OLD# 312650-2)	1	PC.
44	941151-9	FLAT WASHER 6	1	PC.
45	253903-9	WAVE WASHER 6	1	PC.
46	265763-7	THUMB SCREW M6X25 (OLD# 251815-0)	1	PC.
47	265764-5	THUMB SCREW M6 (OLD# 251819-2)	1	PC.
48	652102-4	HEX. NUT M12	1	PC.
100	251919-8	SQUARE NECK BOLT M6X20*	1	PC.
101	253903-9	WAVE WASHER 6*	1	PC.
102	941151-9	FLAT WASHER 6*	1	PC.
103	934301-3	WING NUT M6*	1	PC.

Item No.	Part No.	Description	Qty	Unit
104	343593-7	GUIDE PLATE*	1	PC.
105	343594-5	STRAIGHT GUIDE*	1	PC.
200	652008-6	P.H.SCREW M3.5X7 *	2	PC.
201	654037-5	INSULATED TERMINAL FK1.25-M3 *	2	PC.
202	654509-0	CONNECTOR 2-SD (Added) *	1	PC.
<u>ACCESSORIES</u>				
A01	343577-5	TEMPLET GUIDE 10 (OLD# 323295-1 - N/L/A)	1	PC.
A02	781003-0	WRENCH 10 (FOR SPINDLE)	1	PC.
A03	781008-0	WRENCH 17 (FOR COLLET NUT)	1	PC.
A04	763608-8	COLLET CONE 1/4"	1	PC.
A05	122704-5	STRAIGHT GUIDE ASS'Y (OLD# 122391-0 - N/L/A)*	1	PC.
	INC. 252649-4	THUMB NUT M6	1	PC.
	INC. 266339-3	CAP SQUARE NECK BOLT M6X20	1	PC.
	INC. 343593-7	GUIDE PLATE	1	PC.
A06	155263-4	TRIMMER SHOE	1	PC.
A07	122703-7	TRIMMER GUIDE ASSY (OLD# 122313-0)	1	PC.
	INC. *****	Item No. 31-36, 41-47		
A08	122390-2	TILT BASE ASSY	1	PC.
	INC. 931202-6	HEX NUT M5	1	PC.
	INC. 911114-9	P.H.SCREW M4X10	2	PC.
	INC. 152334-8	BASE COM.	1	PC.
	INC. 934201-7	WING NUT	2	PC.
	INC. 942101-7	SPRING WASHER 5	4	PC.
	INC. 941101-4	FLAT WASHER 5	3	PC.
	INC. 251814-2	SCREW M6X18	1	PC.
	INC. 942151-2	SPRING WASHER 6	1	PC.
	INC. 941151-9	FLAT WASHER 6	1	PC.
	INC. 251867-1	CLAMP SCREW M5X30	1	PC.
	INC. 924216-2	WING BOLT M5X15	2	PC.
	INC. 253807-5	FLAT WASHER 5	2	PC.
	INC. 414304-8	TRIMMER SHOE	1	PC.
	INC. 267248-9	FLAT WASHER 8	2	PC.
	INC. 923241-0	C.S.N.BOLT M6X20	2	PC.
A09	----	TRIMMER BIT (SEE CATALOGUE FOR DETAILS)	1	PC.
A10	418647-0	CHIP DEFLECTOR (OLD# 411115-2 - N/L/A)	1	PC.

SERVICE CHANGES

1. Change on Armature, Fan, etc.

Item No.	Description	Type 1	Type 2	Type 3	Type 4
16	Insulation Washer	681602-7 (N/L/A)	681614-0		
17	Armature	611222-3 (N/L/A)	511376-5 (or 611376-6)		
18	Fan 52	241615-6 (I.D. Φ 15.0mm)		241516-8 (I.D. Φ 17.0mm)	241615-6 (I.D. Φ 15.0mm)
21	Wave Washer	----	253905-5 (added)		

Above parts are completely interchangeable as a set.

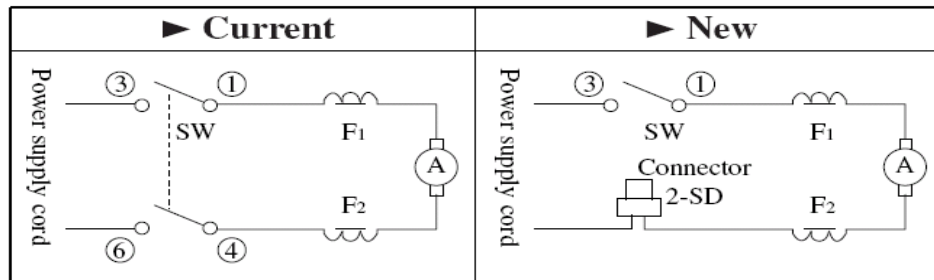
Type 2 Insulation Washer can be used with Type 1 Armature.

2. Change on Switch, etc

Item No.	Description	Type 1	Type 2	Type 3
7	Switch	651457-4	651472-8	651403-7
200	P.H.Screw M3.5x7	652008-6		
		4PCS		2PCS
201	Insulated Terminal FK1.25 - M3	654037-5		
		4PCS		2PCS
202	Connector 2-SD	----		654509-0 1PC

Above parts are interchangeable as a set.

Type 1 and Type 2 Switch are interchangeable as themselves.



3. Change on Straight Guide Assy

Item No.	Description	Type 1	Type 2	Type 3
100	Thumb Screw M6x20/ Square Neck Bolt M6x20	924326-5	251919-8	----
101	Wave Washer 6	253903-9		----
102	Flat Washer 6	941151-9		----
103	Wing Nut M6	934301-3		----
104	Guide Plate	----	343593-7	----
105	Straight Guide	----	343594-5	----
A01	Straight Guide Assy	123008-8 (N/L/A)	122391-0 (N/L/A)	122704-5

Above parts are interchangeable as a set.